



Date: 2020-03-10

**PERFORMANCE DATA SHEET
EPACT NR CAN NEMA 12 - 11**

Catalogue #: MPS-156T

| HP | kW | Voltage | S.F. @ 60Hz | EFF. | P.F. | Frame | Design | L.R. Amps |
|-----|------|---------|-------------|-------|-------|-------|--------|-----------|
| 1.5 | 1.12 | 575 | 1.15 | 85.5% | 0.657 | 182TC | C | 16 |

| 60 Hz | | | | | | | | |
|-------|-----|-----|-----|-----|-----|-----|------|----------|
| FLA | | | | | | | Code | F.L. RPM |
| 208 | 230 | 416 | 460 | 480 | 575 | 600 | | |
| / | / | / | / | / | 2 | / | K | 1165 |

| 50 Hz | | | | | | | | |
|-------|-----|-----|-------------|------------|--------------|------|----------|--|
| FLA | | | S.F. @ 50Hz | Efficiency | Power Factor | Code | F.L. RPM | |
| 190 | 380 | 415 | | | | | | |
| / | / | / | / | / | / | / | / | |

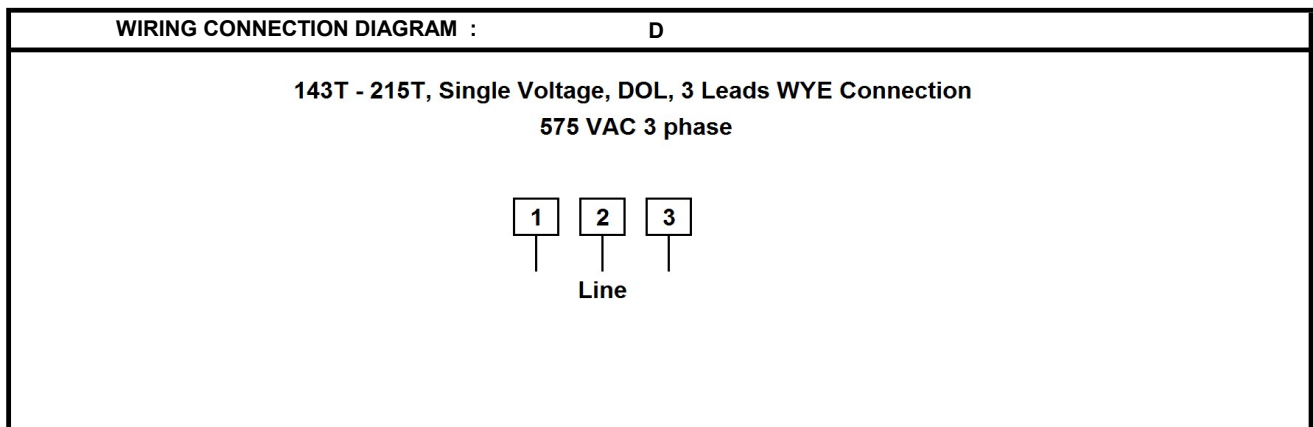
| Wgt. Lbs | PH | Duty | Insul. Class | Amb. | Elevation | Temp. Rise° C |
|----------|----|-------|--------------|------|-----------------|---------------|
| 85 | 3 | Cont. | F | 40°C | 1000M (3300 Ft) | < 80 |

| % Efficiency | | % Power Factor | | Torque | | Winding Resist. Ω | Safe Cold Start (Secs) |
|--------------|-------|----------------|------|------------------|-----|-------------------|------------------------|
| Full Load: | 85.5% | Full Load: | 0.66 | Full Load Ft/Lbs | 6.8 | | |
| 3/4 Load: | 84.9% | 3/4 Load: | 0.63 | Locked Rotor % | 255 | 0 | 12 |
| 1/2 Load: | 76.8% | 1/2 Load: | 0.57 | Break Down % | 350 | | |

| Rotor Inertia Wk2 Lb-Ft2 | Max Load Inertia Wk2 Lb-Ft2 | Shaft Material | Frame Material | DE Bracket Type | ODE Bracket Type | Enclosure | NEMA Rating | Lead Wire Size |
|--------------------------|-----------------------------|-----------------|----------------|-----------------|------------------|-----------|-------------|----------------|
| 0.24 | 32 | Stainless Steel | | | | TEFC | IP66 | 16AWG |

| Ball Bearings | | Grease | Mount Type | Orientation | Paint | Sound Pressure @ 3FT | Sound Power |
|---------------|------|-----------------|------------|-------------|-------|----------------------|-------------|
| DE | ODE | | | | | | |
| 6308 | 6306 | Sealed Bearings | Rigid | Horizontal | - | 57 | 67 |

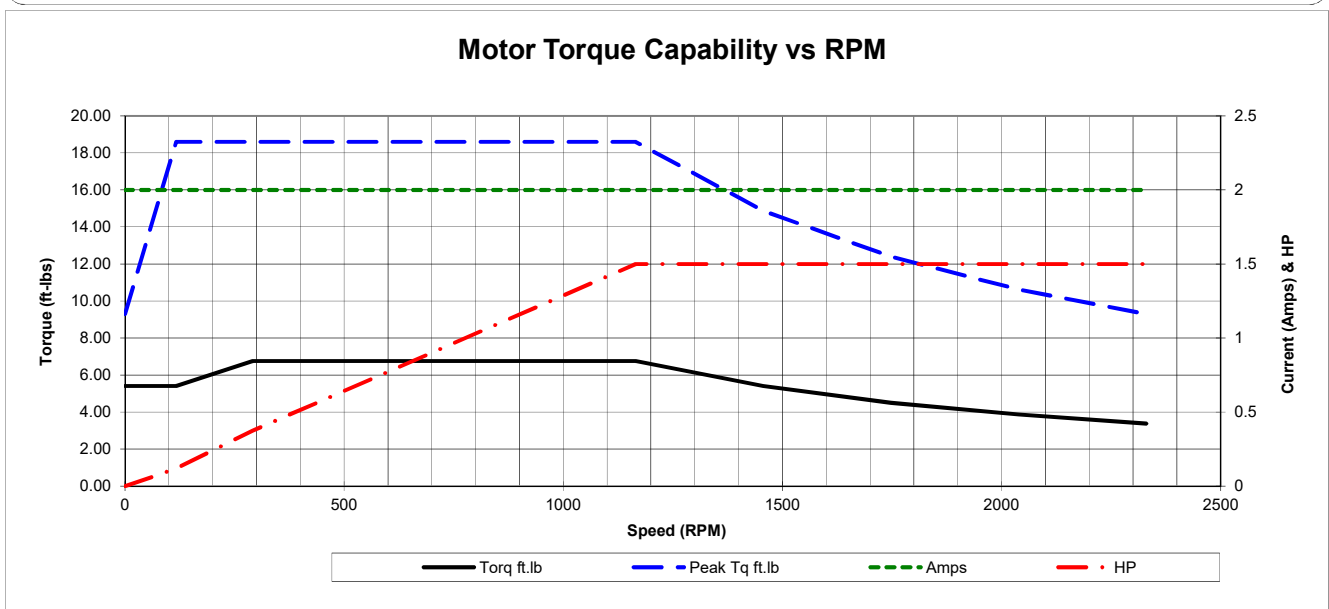
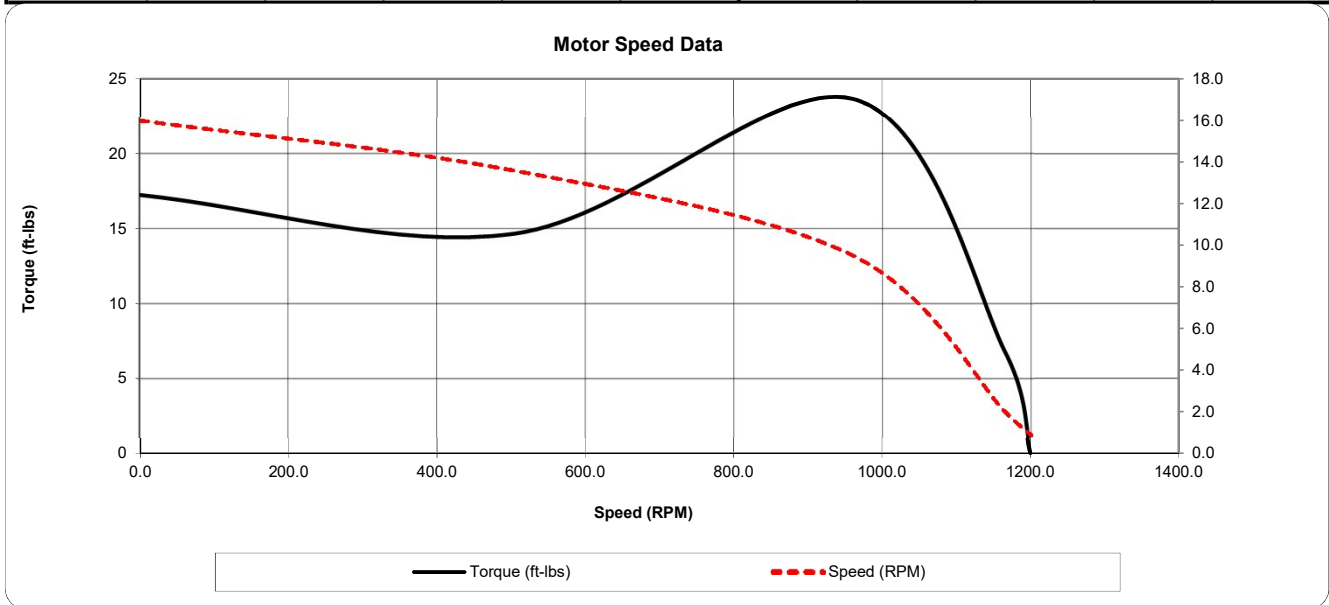
| Inverter Duty. Motor meets MG1 parts 31.4.4.2 | Constant Torque Range | Variable Torque Range | Constant HP RPM |
|--|-----------------------|-----------------------|-----------------|
| | 10:1 | 20:1 | 1800 |



Date: 2020-03-10
 Customer: _____
 Contact: _____
 Submittee: J.C. Lavallée

Catalogue #: MPS-156T

| EPACT NR CAN NEMA 12 - 11 | | | | | | | | | | |
|---------------------------|--------------|---------|-----------|------------|-----------|--------------------------------------|---------|----------------|------------------|---------------|
| HP | VAC | RPM | Enclosure | Frame | Frequency | Design | Poles | LR Code Letter | Insulation Class | Temp. Rise °C |
| 1.5 | 575 | 1165 | TEFC | 182TC | 60 | C | 6 | K | F | < 80 |
| | 0Hz | 6Hz | 15Hz | 30Hz | 45Hz | 60Hz | 75Hz | 90Hz | 105Hz | 120Hz |
| Amps | 2 | 2 | 2 | 2 | 2 | 2 | 2 | 2 | 2 | 2 |
| RPM | 0 | 116.5 | 291.25 | 582.5 | 873.75 | 1165 | 1456.25 | 1747.5 | 2038.75 | 2330 |
| Torq ft.lb | 5.41 | 5.41 | 6.76 | 6.76 | 6.76 | 6.76 | 5.41 | 4.51 | 3.86 | 3.38 |
| Peak Tq ft.lb | 9.30 | 18.60 | 18.60 | 18.60 | 18.60 | 18.60 | 14.88 | 12.40 | 10.63 | 9.30 |
| HP | 0 | 0.1 | 0.4 | 0.8 | 1.1 | 1.5 | 1.5 | 1.5 | 1.5 | 1.5 |
| | Locked Rotor | Pull-Up | Breakdown | Rated Load | Idle | Duty | S. F. | Ambient | Elevation | dBA @ 1M |
| Speed (RPM) | 0.0 | 504 | 960 | 1165 | 1200 | Continuous | 1.15 | 40°C | 3,300 ft | 57 |
| Current (Amps) | 16.0 | 13.6 | 9.5 | 2.0 | 0.9 | VFD Rating: Meets MG1 parts 31.4.4.2 | | | | |
| Torque (ft-lbs) | 17.2 | 14.7 | 23.7 | 6.8 | 0.0 | C.T. | 10:1 | V.T. | 20:1 | |



Date: 2020-03-10
 Customer: _____
 Contact: _____
 Submittee: J.C. Lavallée

Catalogue #: **MQSP-102T**

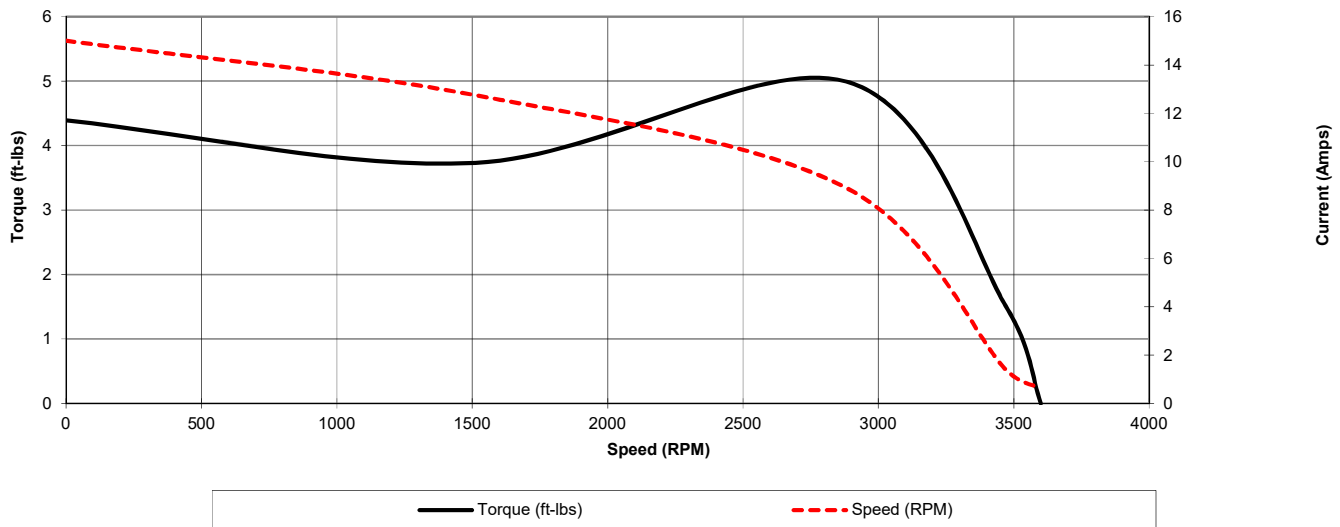
NEMA PREMIUM NR CAN NEMA 12 - 12

| HP | VAC | RPM | Enclosure | Frame | Frequency | Design | Poles | LR Code Letter | Insulation Class | Temp. Rise °C |
|----|-----|------|-----------|-------|-----------|--------|-------|----------------|------------------|---------------|
| 1 | 460 | 3470 | TEFC | 143TC | 60 | B | 2 | K | F | < 80 |

| Load % | 0% | 25% | 50% | 75% | 100% | 125% | 150% |
|-------------|------|--------|-------|--------|-------|--------|-------|
| Amps | 0.63 | 0.65 | 0.85 | 1.10 | 1.40 | 1.66 | 1.98 |
| Torq ft/lbs | 0 | 0.37 | 0.74 | 1.12 | 1.51 | 1.91 | 2.31 |
| RPM | 0 | 3567.5 | 3535 | 3502.5 | 3470 | 3437.5 | 3405 |
| Eff | 0 | 65.52 | 73.00 | 76.00 | 77.00 | 79.00 | 77.00 |
| PF | 0 | 60.0 | 77 | 86 | 90.0 | 91.8 | 92.3 |

| | Locked Rotor | Pull-Up | Breakdown | Rated Load | Idle | Duty | S. F. | Ambient | Elevation | dBA @ 1M |
|-----------------|--------------|---------|-----------|------------|------|--------------------------------------|-------|---------|-----------|----------|
| Speed (RPM) | 0 | 1512 | 2880 | 3470 | 3600 | Continuous | 1.15 | 40°C | 3,300 ft | 76 |
| Current (Amps) | 15 | 12.8 | 8.9 | 1.4 | 0.63 | VFD Rating: Meets MG1 parts 31.4.4.2 | | | | |
| Torque (ft-lbs) | 4.39 | 3.73 | 4.99 | 1.51 | 0.0 | C.T. | 10:1 | V.T. | 20:1 | |

Motor Speed Data



Motor Load Data

